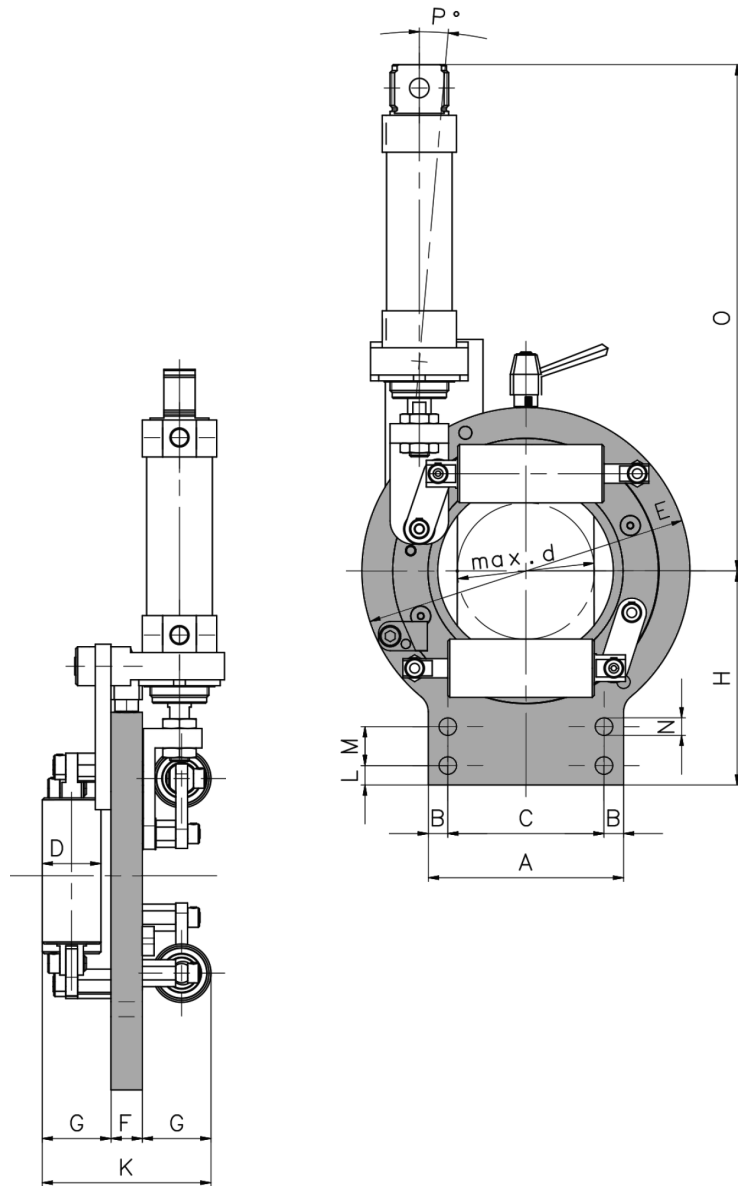


## RZ PN - Concentric Guide Rollers with Pneumatic Cylinder

With double acting pneumatic cylinder to engage/disengage the rollers. Can be integrated with sensing systems to allow for opening when weld caps are identified.



RZ PN Series	Wire Diameter Ranges (mm) $\phi$					
	2 - 30	5 - 70	10 - 150	20 - 250	50 - 300	200 - 500
<b>Order Ref.</b>	<b>RZ 30 PN</b>	<b>RZ 70 PN</b>	<b>RZ 150 PN</b>	<b>RZ 250 PN</b>	<b>RZ 300 PN</b>	<b>RZ 500 PN</b>
A	50	100	200	315	500	730
B	7	10	20	32.5	100	165
C	36	80	160	250	300	400
D	25	30	65	100	80	90
E	88	168	360	560	500	730
F	12	16	25	40	25	25
G	26	36	66	105	90	97.5
H	55	110	220	350	350	450
K	64	88	157	250	205	220
L	7	10	15	25	30	30
M	-	20	40	63	50	50
N	5.5	9	13	22	22	22
O	198	261	505	607	627	752
P	3	3	4	4	10	11
Kg	1.5	5	35	120	90	170